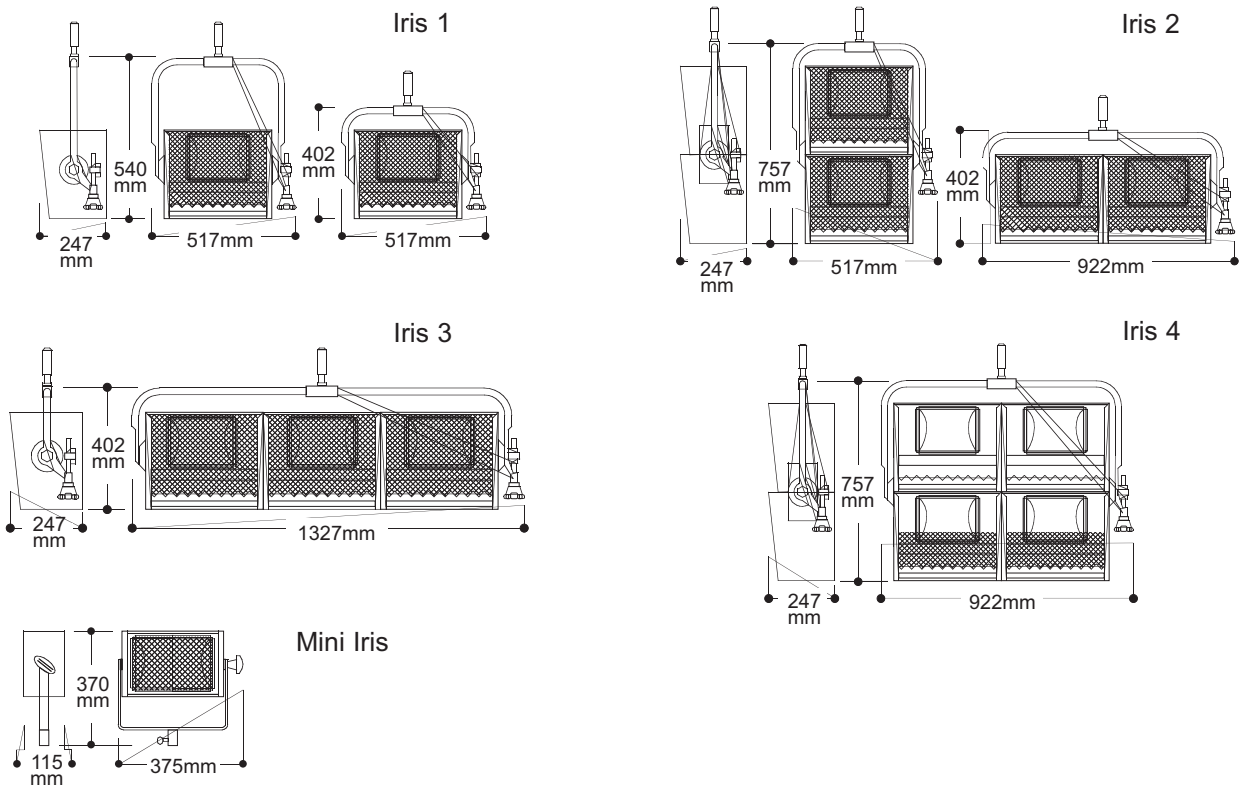




# IRIS™

## 625W, 1000W, 1250W

- ❑ Top-mounting cyclorama lighting range
- ❑ Suitable for TV studio and theatre cycloramas up to 7m high
- ❑ Exceptionally even beam distribution
- ❑ Wide range of versions including split stirrup for Iris 2 and Iris 4
- ❑ Black finish to blend with studio roof
- ❑ Designed for 625W, 1000W or 1250W 189mm linear tungsten halogen 3200K lamps
- ❑ Supplied with 29mm spigot, wire guard, colour frame and power cable
- ❑ Mini Iris is ideal for small studios



### Weights & Dimensions

	Iris 1	Iris 2 (Horizontal)	Iris 2 (Vertical)	Iris 3	Iris 4	Mini Iris
Weight	8.5kg	15.5kg	15.5kg	22.5kg	28.5kg	4.0kg
Depth	247mm	247mm	247mm	247mm	247mm	115mm
Width	517mm	922mm	517mm	1327mm	922mm	375mm
Height	402mm	402mm	757mm	402mm	757mm	370mm
Colour frame size	405 x 310mm (with safety mesh)					



## Environmental Data

**Max operating ambient temperature**  
45°C

**IP rating**  
IP20

## Electrical & mechanical data

**Supply voltage**  
230/240V 50/60Hz

**Max lamp per compartment**  
1250W

**Lamp type/base**  
189mm linear lamp R7s

**Power cable**  
Iris: Individual compartments fitted with 7 metres of 3 x 1.5mm<sup>2</sup> cable (Iris 1 - 5m). Iris 4 can be supplied to special order with 9-pin connector for 4-circuit operation. Mini Iris: Fitted with 4 metres of 3 x 1.5mm<sup>2</sup> cable with in-line 20 amp switch.

**Standards compliance**  
EN60 598 2-17

**Construction**  
Formed sheet steel assembled with machine threaded screws and rivets for high strength and light weight. Black powder coated epoxy paint finish  
Reflector: Asymmetric multi-curve reflectors of high reflectivity textured aluminium for smooth cyclorama illumination.

**Mounting/suspension**  
Tubular steel stirrup assembly fitted with 29mm spigot BS or DIN specification. Mini Iris has aluminium stirrup with 16mm socket.

## Operational data

**Lamp access**  
Through front of open face of fixture after colour frame and wireguard removed.

**Tilt adjustment**  
Iris and Mini Iris: Tilt angle is set by heat insulated lock handle or PO cup (Mini Iris is manual only).

## Photometric data

Iris cyclorama lights are designed to evenly illuminate cycloramas up to 7 metres high with maximum illumination at performer head height of 2 metres. They rely on the overlap of light from adjacent units which should be installed on 2.5m centres and tilted down 20° from vertical.

P2/12 1250W lamp			
Cyclorama Height (metres)	7	6	5
Distance from Cyc (metres)	3.3	2.5	2.1
Lux level at 2m high	1450	1850	2150

## Ordering information

### Iris 1

Single compartment cyc light in manual or pole operated (tilt only) versions, supplied with tubular steel stirrup with 29mm spigot, drop-in colour frame and wireguard with safety bond, and 5m power cable.

### Iris 2

Double compartment cyc light in vertical or horizontal arrangement with pole operation of tilt. Supplied with 7m power cable for each compartment. The split stirrup versions of Iris 2 and 4 enable the two compartments to be set at different angles.

### Iris 3/4

Three (four) compartment horizontal cyc light with pole operation of tilt and 7m power cable for each compartment.

### Mini Iris

Single compartment cyc light with same general design as standard Iris but in compact housing for use in smaller studios. Supplied with MO stirrup with 16mm socket and with 4m power cable, with in-line switch. Optional outrig colour frame is required for use with saturated colours.

Cat No	Description	Optional accessories
26070	Iris 1 Manually Operated	43104 P2/10, 625W, 240V
26080	Iris 1 Pole Op Cyclight (tilt only)	43103 P2/10, 625W, 230V
26100	Iris 2 Vertical Pole Op (tilt only)	43074 P2/7, 1000W, 240V
26110	Iris 2 Horizontal Pole Op (tilt only)	43073 P2/7, 1000W, 230V
26090	Iris 2 Split Stirrup Pole Op (vertical)	43124 P2/12, 1250W, 240V
26130	Iris 3 Pole Op (tilt only)	43123 P2/12, 1250W, 230V
26150	Iris 4 Pole Op (tilt only)	28011 Additional colour frame
26140	Iris 4 Split Stirrup Pole Op	28012 Additional wire mesh guard
26060	Mini Iris 1 Cyclight	82012 Hook clamp for 29mm spigot (50mmØ barrel)
		82013 Hook clamp for 29mm spigot (32-62mmØ barrel)
		82002 Safety bond, 50kg
		28010 Outrig colour frame
		82603 Large gaffer grip 16mm spigot

The Company reserves the right to make any variation in design or construction to the equipment described. © Strand Lighting Ltd 1998.

Strand™, Strand Lighting™, Strand Quartzcolor™ are trade marks of Strand Lighting Limited and Strand Lighting Inc.

**Strand Lighting Ltd** North Hyde House Hayes Rd Heston Middx UB2 5NL UK Tel: +44 (0)181 571 3588 Fax: +44 (0)181 571 3305

**Strand Lighting GmbH** Ullsteinstrasse 114-142 D-12109 Berlin Germany Tel: +49 (0) 30/70 79 51 0 Fax: +49 (0) 30/70 79 519 9

**Strand Lighting Italia srl** Via delle Gardenie 33 00040 Pomezia-Roma Italy Tel: +39 06 9147123 Fax: +39 06 9147136

**Strand Lighting Asia Ltd** 7/F Corporation Square 8 Lam Lok Street Kowloon Bay Hong Kong Tel: +852 2757 3033 Fax: +852 2757 1767

LONDON - BERLIN - ROME - PARIS - MOSCOW - LOS ANGELES - NEW YORK - TORONTO - HONG KONG